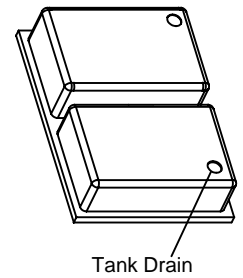
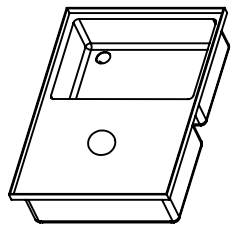
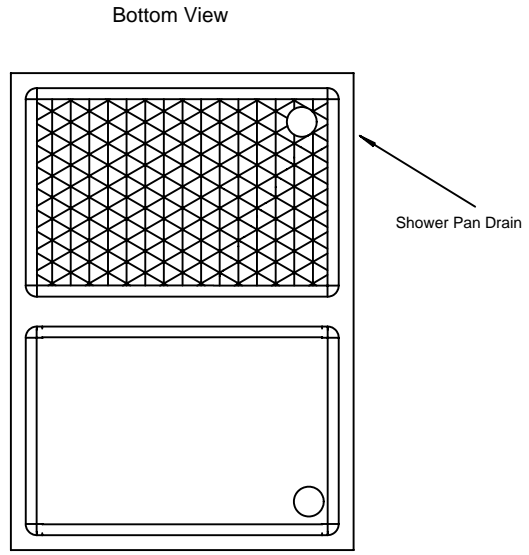
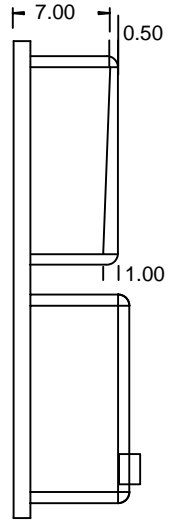
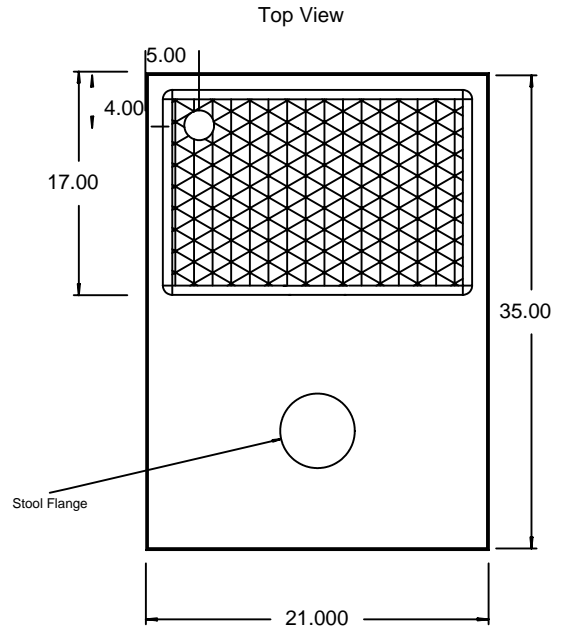


REVISIONS			
REV.	DESCRIPTION	DATE	APPROVED



**M2141AWS  
Combo Pan**

NOTE: Comes with 19 x 17 x 7"  
Bottom Drain Holding Tank HT527

Type of Tool	Customer Part Number	Mold Number AK		
Built By	UNLESS OTHERWISE SPECIFIED DIMENSIONS ARE IN INCHES. TOLERANCES ARE: +/- 1.5% on Molded Dim. +/- .060" under 6"		CAD GENERATED DRAWING DO NOT UPDATE MANUALLY	
Date Made	Material <b>LLDPE</b>	Warp on Flat Surfaces Tol +/- .015" per Inch	APPROVALS	DATE
			DRAWN	
	Color	FINISH	CHECKED	
	Shot Weight	Plastic Shrink		
			<b>Ameri-Kart Corp</b> PART DESCRIPTION <b>Combo Pan</b>	
			SIZE/DRAWING NO. C	REV.
			SCALE: 1:1	M2141AWS
			CAD FILE	SHEET