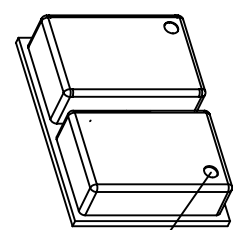
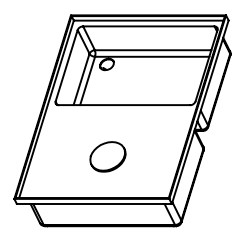
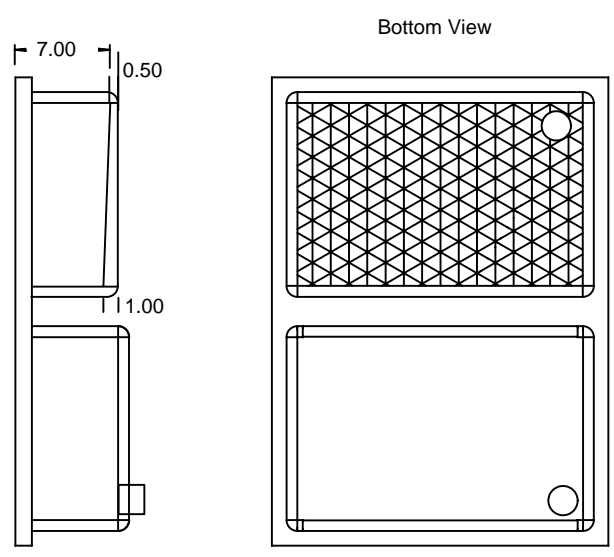
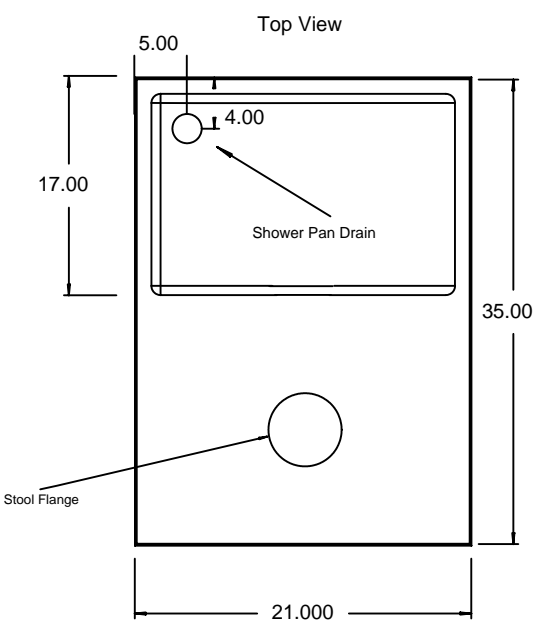


REVISIONS			
REV.	DESCRIPTION	DATE	APPROVED



**M2141TWA
Combo Pan**

NOTE: Comes with 19 x 17 x 9.875"
Bottom Drain Holding Tank #HT522

Type of Tool	Customer Part Number	Mold Number AK	
Built By	UNLESS OTHERWISE SPECIFIED DIMENSIONS ARE IN INCHES. TOLERANCES ARE: +/- 1.5% on Molded Dim. +/- .060" under 6"		CAD GENERATED DRAWING DO NOT UPDATE MANUALLY
Date Made	Material LLDPE	Warp on Flat Surfaces Tol +/- .015" per Inch	APPROVALS
			DATE
		FINISH	PART DESCRIPTION Ameri-Kart Corp Combo Pan
		Plastic Shrink	
			SIZE DRAWING NO. C M2141TWA
			SCALE: : CAD FILE SHEET