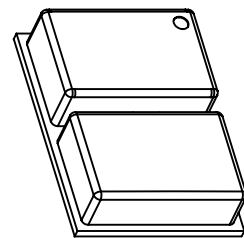
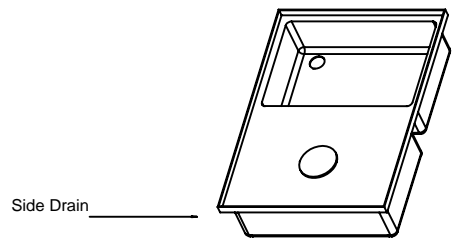
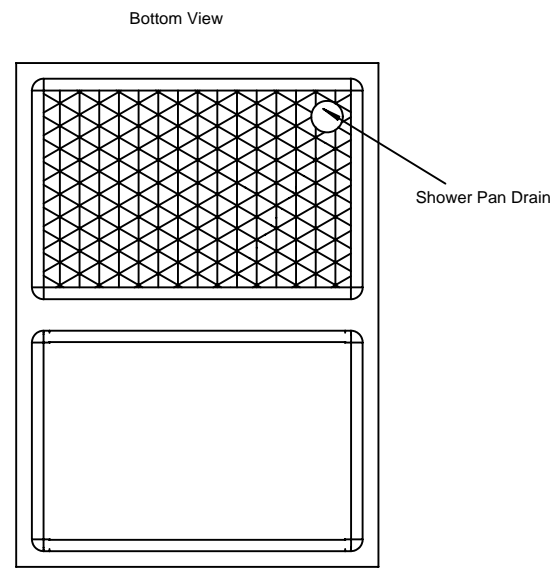
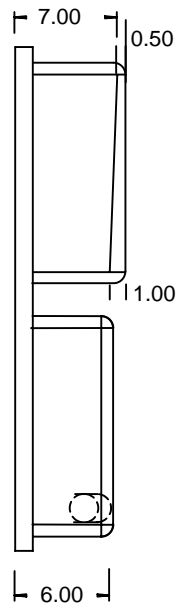
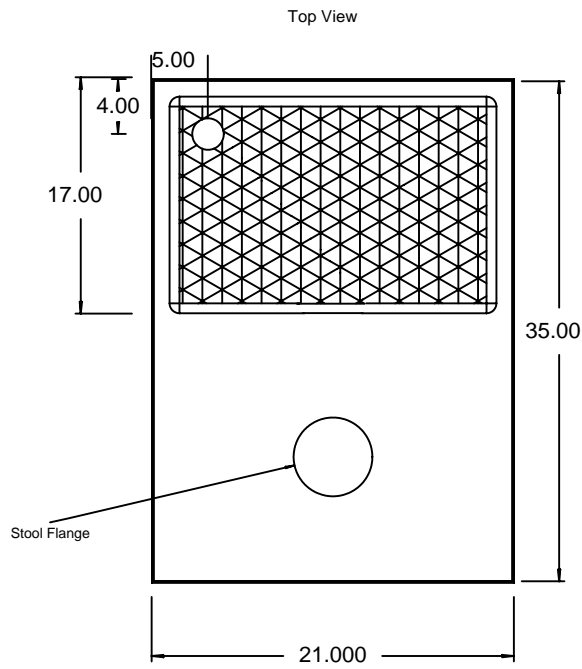


REVISIONS			
REV.	DESCRIPTION	DATE	APPROVED



**M2141TWB
Combo Pan**

NOTE: Comes with 19 x 17 x 6"
Side Drain Holding Tank # HT523

Type of Tool	Customer Part Number	Mold Number AK	
Built By	UNLESS OTHERWISE SPECIFIED DIMENSIONS ARE IN INCHES. TOLERANCES ARE: +/- 1.5% on Molded Dim. +/- .060" under 6"		Ameri-Kart Corp PART DESCRIPTION Combo Pan
Date Made	CAD GENERATED DRAWING DO NOT UPDATE MANUALLY		
Material	LLDPE	APPROVALS	DATE
Wall Thickness	Warp on Flat Surfaces Tol +/- .015" per Inch	DRAWN	
Color	FINISH	CHECKED	
Shot Weight	Plastic Shrink		
SIZE DRAWING NO. C M2141TWB			REV.
SCALE: : CAD FILE			SHEET