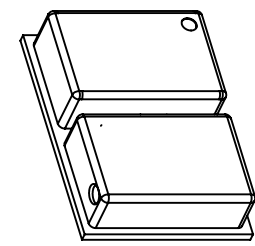
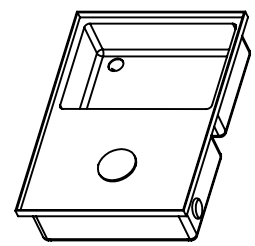
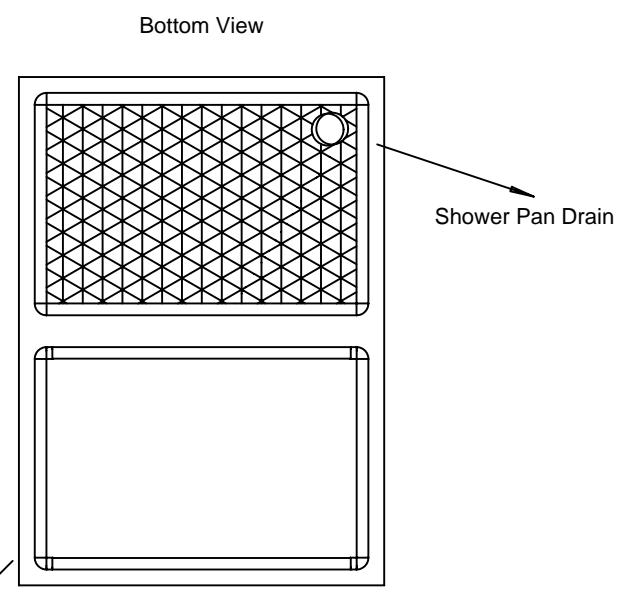
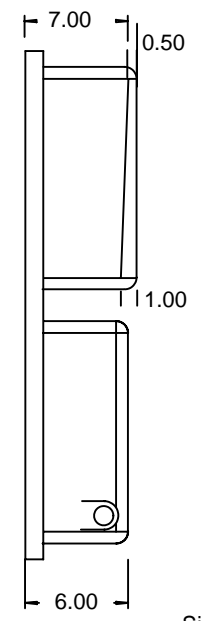
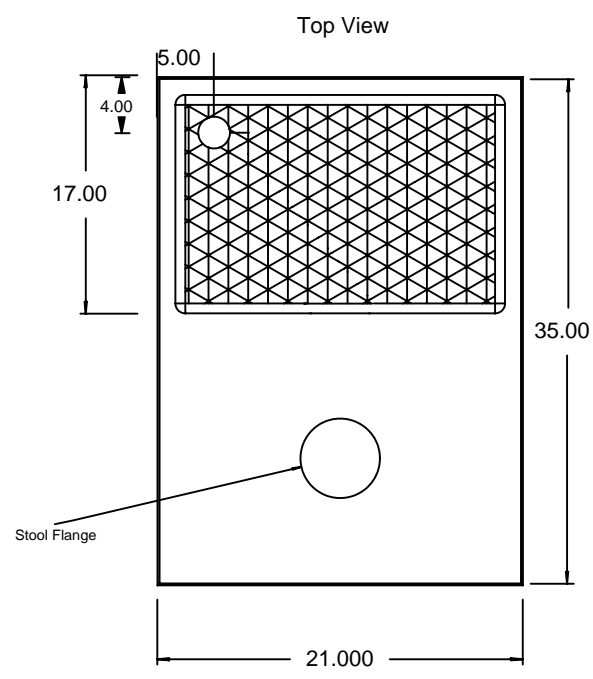


REVISIONS			
REV.	DESCRIPTION	DATE	APPROVED



M2141TWD Combo Pan

NOTE: Comes with 19.5 x 17.375 x 6"
Side Drain Holding Tank #HT526

Type of Tool	Customer Part Number	Mold Number AK		
Built By	UNLESS OTHERWISE SPECIFIED DIMENSIONS ARE IN INCHES. TOLERANCES ARE: +/- 1.5% on Molded Dim. +/- .060" under 6"		CAD GENERATED DRAWING DO NOT UPDATE MANUALLY	
Date Made	Material	LLDPE	APPROVALS	DATE
	Wall Thickness	Warp on Flat Surfaces Tol +/- .015" per Inch	DRAWN	
	Color	FINISH	CHECKED	
	Shot Weight	Plastic Shrink		
			PART DESCRIPTION	
			Combo Pan	
			SIZE/DRAWING NO.	REV.
			M2141TWD	
			SCALE: 1:1	CAD FILE SHEET