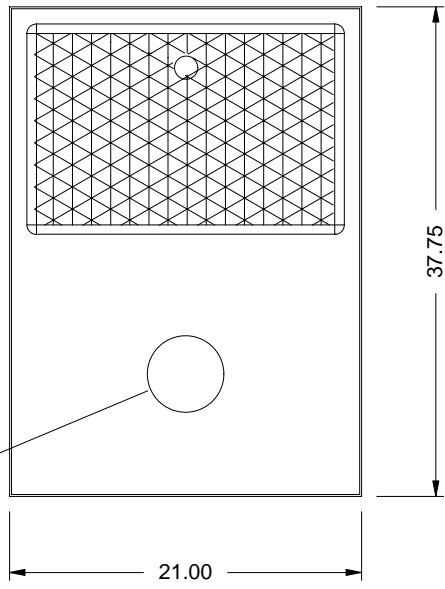
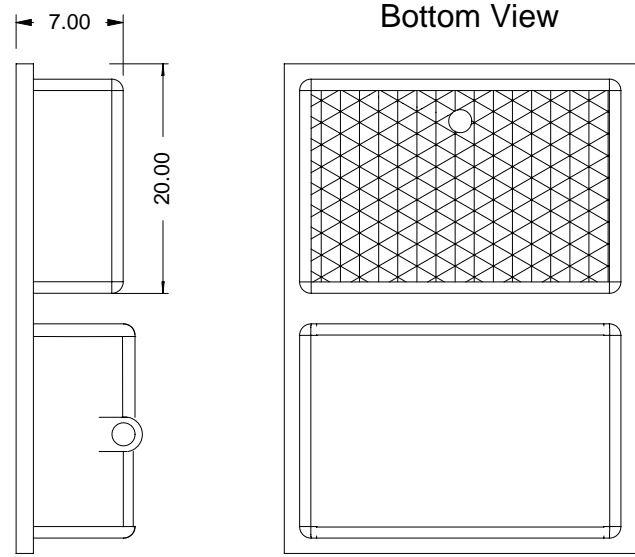


REVISIONS			
REV.	DESCRIPTION	DATE	APPROVED

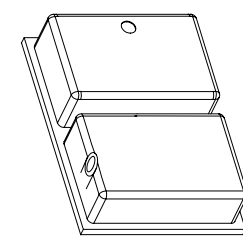
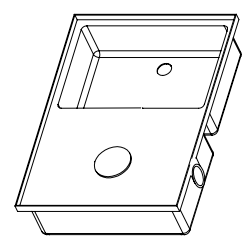
Top View



Bottom View



ORDER OPTIONS  
M2807AWS-S Pan only-No tank



**M2807AWS**  
Combo Pan with  
19 x 15 x 6" ED  
Holding Tank #HT111C

Type of Tool	Customer Part Number	Mold Number AK	
Built By	UNLESS OTHERWISE SPECIFIED DIMENSIONS ARE IN INCHES TOLERANCES ARE:		<b>Ameri-Kart Corp</b> PART DESCRIPTION <b>COMBO PAN</b>
Date Made	+/- 1.5% on Matched Dim. +/- .000" under 6"	CAD GENERATED DRAWING DO NOT UPDATE MANUALLY APPROVALS DATE	
Material	Warp on Flat Surfaces Tol +/- .015" per Inch	CHECKED	
Wall Thickness	FINISH		
Color	Plastic Shrink		
Shot Weight			